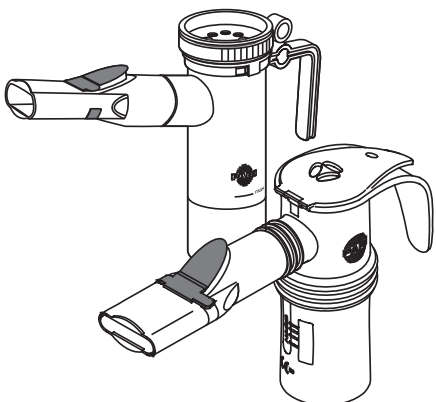
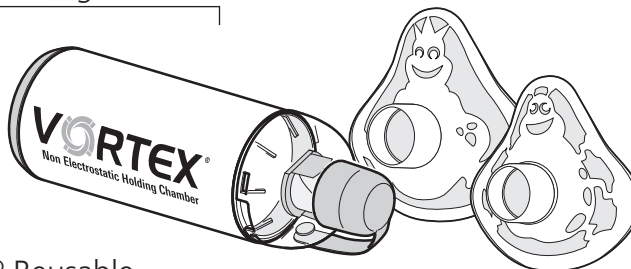
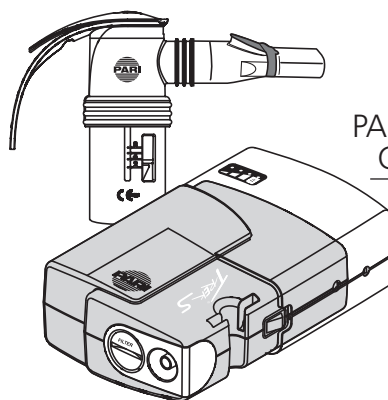


# PARI Product Catalog

PARI VORTEX® Non Electrostatic Holding Chamber Configurations

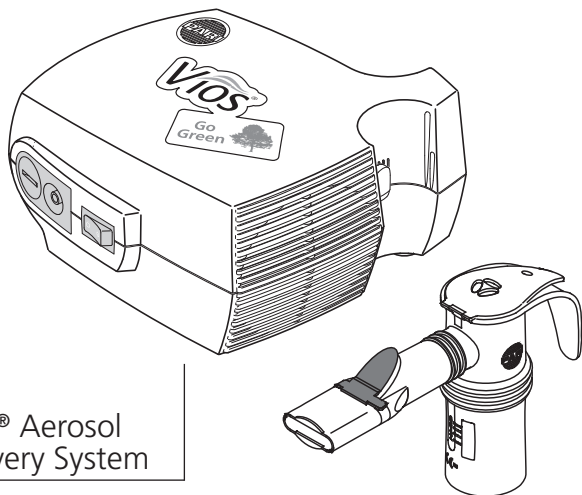
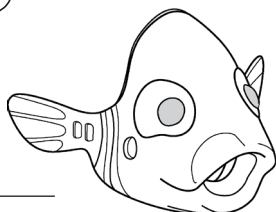


PARI LC® Reusable Nebulizers

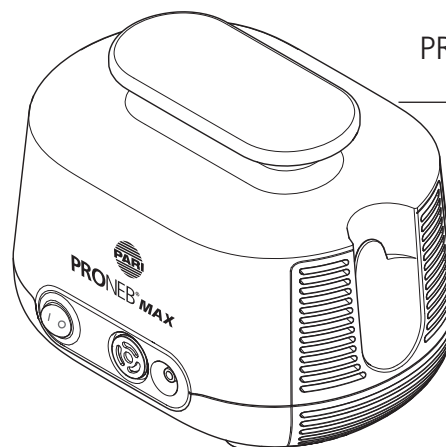


PARI Trek® S Compact Compressor System

PARI LC® Nebulizer Masks and Conversion Kits



Vios® Aerosol Delivery System



PRONEB® MAX Aerosol Delivery System

Also Included:

Patient Sizing Chart, PARI LC® Accessories and Parts, Educational Accessories, Instructional Materials, and Reimbursement Information





## **PARI Respiratory Equipment, Inc.**

We've been pioneering healthcare improvements for over 100 years, and have built a reputation for delivering innovation and quality. Guided by a world-class research lab, we develop products that continually advance the science of respiratory care. At PARI we approach the future with the expertise necessary to adapt to a changing healthcare market in an effort to improve the lives of those affected by respiratory diseases.

*PARI's mission is to improve the lives of those affected by respiratory diseases and those who provide care for them. This is reflected in our comprehensive portfolio of innovative products and services.*

Tel: 1.800.FAST.NEB (327.8632)

Fax: 1.804.253.0246

2412 PARI Way

Midlothian, VA 23112 USA

[www.PARI.com](http://www.PARI.com)

## Table of Contents

<b>Patient Sizing Chart</b>	<b>PAGE 4</b>
<b>PARI LC® Reusable Nebulizer, Mask, and Accessories</b>	<b>PAGE 5-7</b>
PARI LC Sprint® Reusable	5
PARI LC PLUS® Reusable	5
PARI LC Star® Reusable	5
PARI Bubbles™ Pediatric Aerosol Mask	6
Adult Mask	6
PARI BABY Conversion Kits	6
PARI LC® Accessories and Parts	7
<b>PARI TREK® S Compact Compressor Nebulizer System</b>	<b>PAGE 8</b>
PARI TREK® S Configurations	8
PARI TREK® S Accessories	8
<b>Vios® Aerosol Delivery System</b>	<b>PAGE 9-10</b>
Vios® Adult Configurations	9
Vios® Pediatric Configurations	9
PRONEB® MAX Configurations	10
<b>VORTEX® Holding Chamber and VORTEX® Masks</b>	<b>PAGE 11</b>
VORTEX® Non Electrostatic Valved Holding Chamber	11
Chloe Ladybug (Toddler)	11
Felix Frog (Child)	11
Adult	11
<b>Accessories and Resources</b>	<b>PAGE 12-13</b>
Educational Accessories	12
Instructional Materials	12
CEU Programs	13
<b>Reimbursement &amp; Reference Information</b>	<b>PAGE 14-15</b>

Place orders, view your order status, view invoices, and more on our B2B portal.

Signup today on [PARIorder.com](http://PARIorder.com) 

## Placing an Order

When placing an order, please have your customer service number ready so we can process your order quickly.

If you have not ordered from PARI before, please inform Customer Service that this is your first order. We will need the following documents before we can process your order:

1. A PARI Credit Application
2. A PARI Sales Tax Exemption Certificate

If you do not have these forms, our Customer Service Department or Accounting Department will be glad to fax, mail, or email them to you. Once completed, please send these forms to:

PARI Respiratory Equipment, Inc.  
 Attn: Accounting Dept. – New Accounts  
 2412 PARI Way  
 Midlothian, VA, 23112  
 Fax: 1.800.727.4112  
 Tel: 1.804.253.0229

Item # denotes a single product (ea) unless otherwise stated. Items available to ship individually or in cases as stated under Case Qty.

All prices in US Dollars.

All orders normally shipped within 2 business days of receipt.

Standard payment terms are net 30 days. Late payments are subject to a 1.5% monthly service charge.

If you have any questions, please do not hesitate to contact Customer Service or your local PARI Respiratory Equipment Representative.

## PARI Return Policy

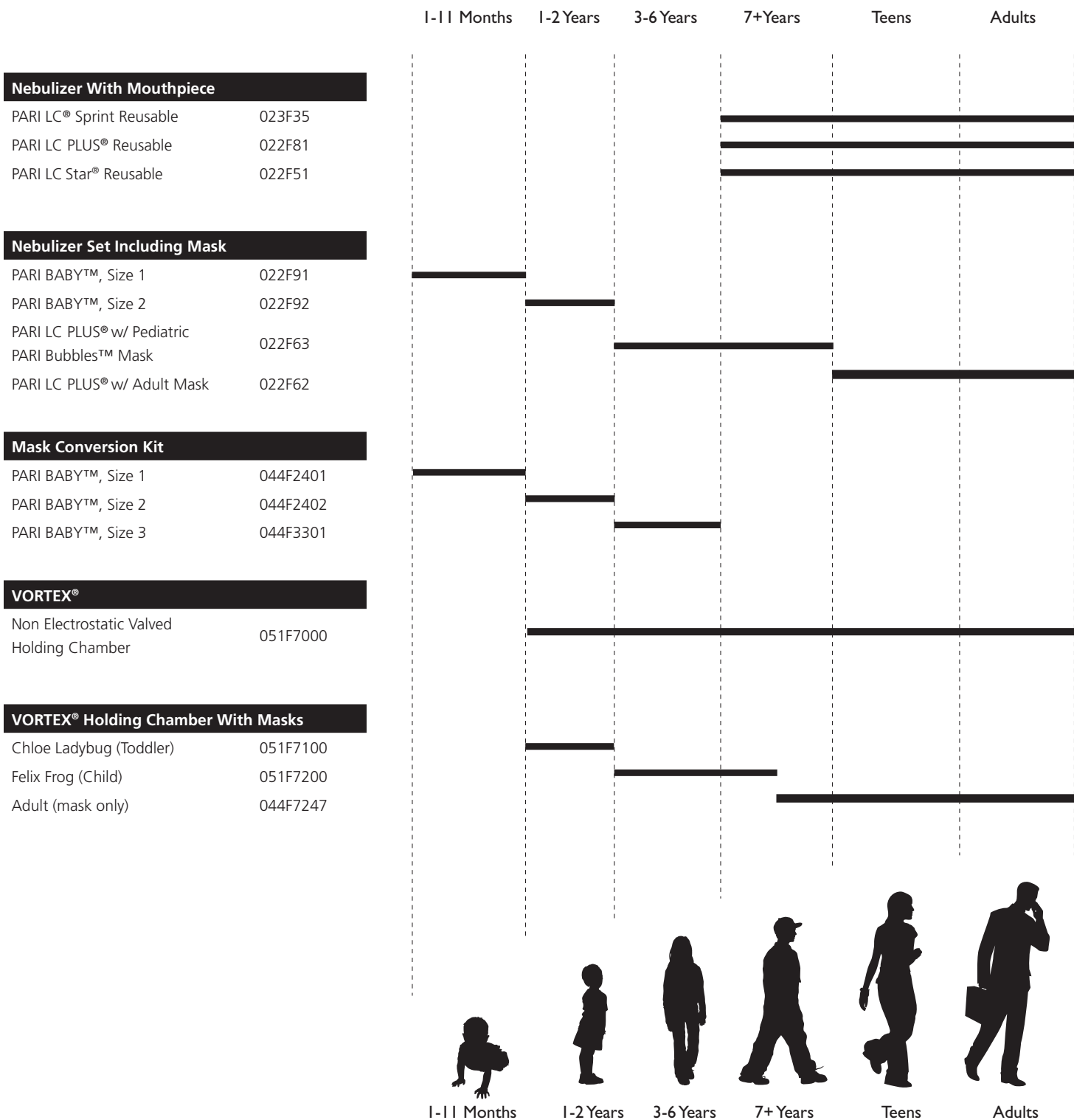
PARI stands behind the quality products it manufactures. If you wish to return any product within 6 MONTHS OF THE PURCHASE DATE, please follow these instructions:

1. Please contact PARI Customer Service at 1.800.327.8632 (then press 1) to receive a Return Authorization number (RA#).
2. Please mark the RA# on the returned package. If no number is indicated on the package, it will be returned.

PARI will apply a 20% restocking fee to all returns without a valid, qualified reason. PARI reserves the right to deny ANY returns after 6 months from date of purchase.

## Patient Sizing Chart

*Helps you make the right choice and fit for your patients*

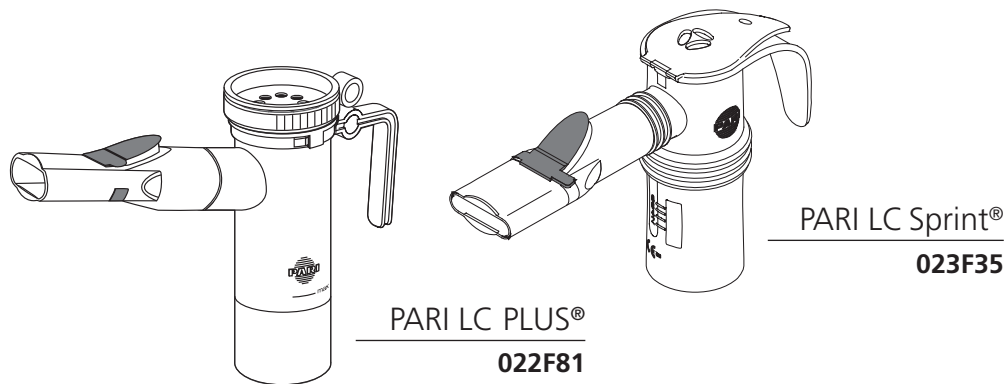


## PARI LC® Reusable Nebulizers

*The #1 choice for clinical trials by pharmaceutical companies.*

Item # denotes a single product (ea) unless otherwise stated. Items available to ship individually or in cases as stated under Case Qty.

Item #	Description	Contents	Case Qty.
023F35-R	PARI LC Sprint®, Retail <i>Sold only in case qty</i>	PARI LC Sprint® Reusable Nebulizer, Wing Tip® tubing, Retail packaging	12
023F35	PARI LC Sprint®	PARI LC Sprint® Reusable Nebulizer, Wing Tip® tubing	12 or 50
022F81	PARI LC PLUS®	PARI LC PLUS® Reusable Nebulizer, Wing Tip® tubing	12 or 50
022F51	PARI LC Star®	PARI LC Star® Reusable Nebulizer, Wing Tip® tubing	12
022F62	PARI LC PLUS® w/ Adult Mask	PARI LC PLUS® Reusable Nebulizer, Adult Mask, Wing Tip® tubing	12
022F63	PARI LC PLUS® Nebulizer w/ Pediatric Mask	PARI LC PLUS® Reusable Nebulizer, PARI Bubbles™ Pediatric Mask, Wing Tip® tubing	12



PARI products have been used in more than 20 clinical trials for new medications delivered by nebulizer. PARI is a proven partner with the following pharmaceutical companies:

AstraZeneca  
 Viatrix  
 Genentech

Gilead  
 Insmed  
 Sunovion

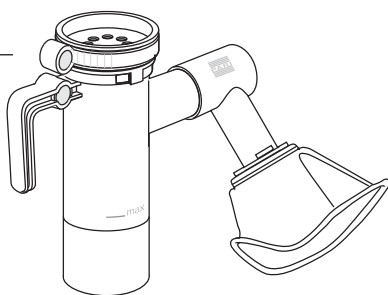
## PARI LC® Nebulizer Masks and Conversion Kits

*Maximize treatment efficiency and compliance*

Item # denotes a single product (ea) unless otherwise stated. Items available to ship individually or in cases as stated under Case Qty.

Item #	Description	Contents	Case Qty.
044F7254	PARI Bubbles™ Pediatric Aerosol Mask	PARI Bubbles™ Pediatric Aerosol Mask for patients ages 3+ years, Elbow Adapter	50
044F7252	Adult Aerosol Mask	Adult Mask	12
<b>PARI BABY™</b>			
022F90	PARI BABY™ — Size 0	PARI LC PLUS® Reusable Nebulizer, PARI BABY™ Sz 0 Mask, Wing Tip® tubing, Adjustable Elbow	1
022F91	PARI BABY™ — Size 1	PARI LC PLUS® Reusable Nebulizer, PARI BABY™ Sz 1 Mask, Wing Tip® tubing, Adjustable Elbow	12
022F92	PARI BABY™ — Size 2	PARI LC PLUS® Reusable Nebulizer, PARI BABY™ Sz 2 Mask, Wing Tip® tubing, Adjustable Elbow	12
044F2400	PARI BABY™ Mask Conversion Kit, Size 0	PARI BABY™ Size 0 Mask, Adjustable Elbow	1
044F2401	PARI BABY™ Mask Conversion Kit, Size 1	PARI BABY™ Size 1 Mask, Adjustable Elbow	12
044F2402	PARI BABY™ Mask Conversion Kit, Size 2	PARI BABY™ Size 2 Mask, Adjustable Elbow	12
044F3301	Mask Set Silicone, Size 3 w/ Y Adapter	Size 3 Mask, T Adapter and Expiratory Valve	12

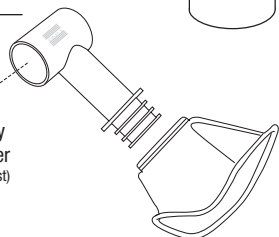
**PARI BABY™**  
**022F90, 022F91, 022F92**



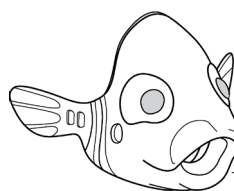
**PARI BABY™ Mask Conversion Kit**

**044F2400, 044F2401, 044F2402**

Attaches directly to PARI LC® Nebulizer (remove mouthpiece first)

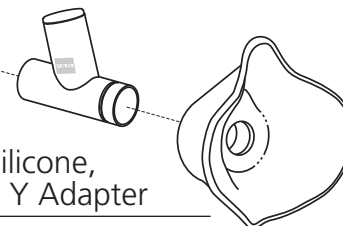


**PARI Bubbles™**  
**044F7254**



Attaches directly to PARI LC® Nebulizer (remove mouthpiece first)

Attaches directly to PARI LC® Nebulizer (remove mouthpiece first)



**Mask Set Silicone, Size 3 with Y Adapter**

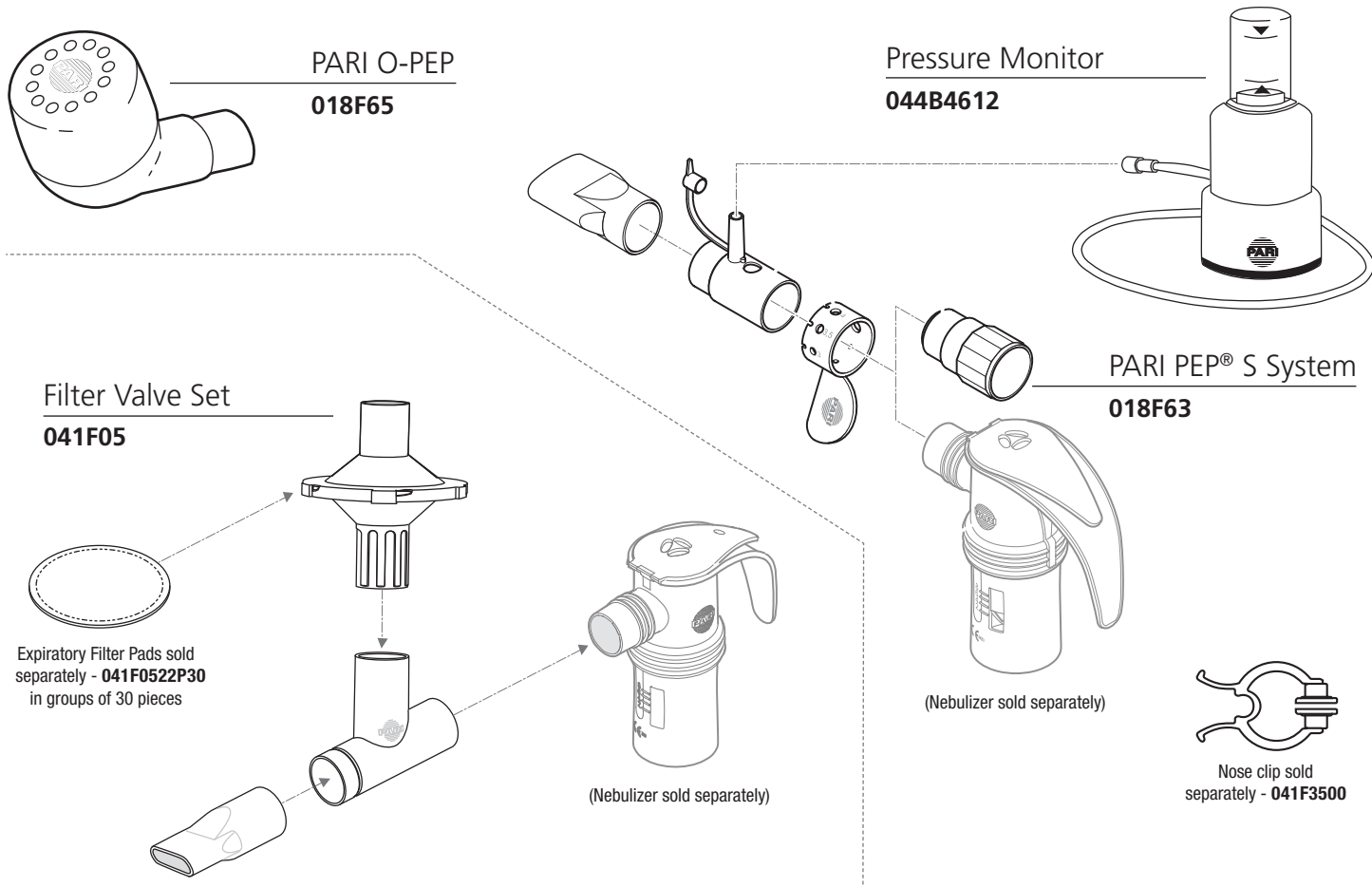
**044F3301**

## PARI LC® Accessories and Parts

*Optimize Treatment Efficiency*

Item # denotes a single product (ea) unless otherwise stated. Items available to ship individually or in cases as stated under Case Qty.

Item #	Description	Contents	Case Qty.
018F63	PARI PEP® S System	Postive Expiratory Pressure (PEP) Device and mouthpiece	1
018F65	PARI O-PEP <i>Sold only in case qty</i>	Oscillating Positive Expiratory Pressure Device, Ball, Carrying Case and Lanyard	1
041F3500	Nose Clip		1
044B4612	Pressure Monitor		1
041F05	Filter Valve Set	Expiratory Filter Valve, Filter Pad, Y-Adapter, and Mouthpiece	1
041F0522P30	Expiratory Filter Pads <i>Sold only in case qty</i>	30 Filter Pads	1



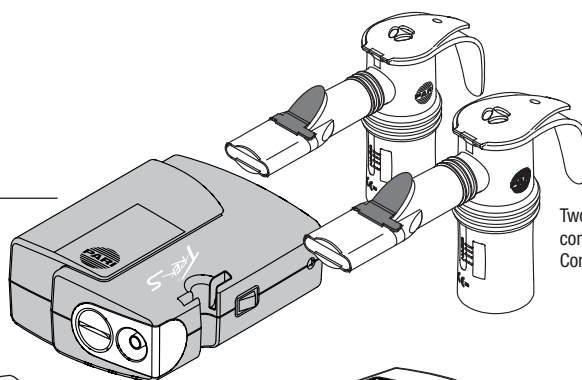
# PARI TREK® S Compact Nebulizer System

## Treatments Wherever Life Takes You

Item # denotes a single product (ea) unless otherwise stated. Items available to ship individually or in cases as stated under Case Qty.

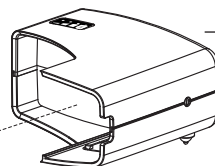
Item #	Description	Contents	Case Qty.
047F45-LCS	PARI TREK® S	TREK® S compact compressor, 2 PARI LC Sprint® reusable nebulizers, AC Adapter, 12V DC Adapter, Carrying case	6
047F35-LCS	PARI TREK® S Portable Combo Pack	TREK® S Portable Aerosol System, 2 PARI LC Sprint® reusable nebulizers, Rechargeable battery, AC Adapter, 12V DC Adapter, Carrying case	6
047F25	PARI TREK® S Portable Power Pack	12V DC Adapter, Rechargeable Battery	6
ACCESSORIES			
047F0020	PARI TREK® S Replacement Battery		6
041E4851P12	Replacement Air Filters <i>Sold only in case qty</i>		12
046F0005	12V DC Adapter		1
047F0015	AC Adapter		1
047F3000	PARI TREK® S Carrying Case		1

PARI TREK® S  
Compact Compressor  
**047F45-LCS**



Two PARI LC® Sprint Jet nebulizers come standard with the PARI TREK® S Compact Compressor

PARI TREK® S Li-Ion Rechargeable Battery  
**047F0020**



Replacement Filter  
**041E4851P12**

Slides and firmly attaches onto the base of the PARI Trek® S compressor unit

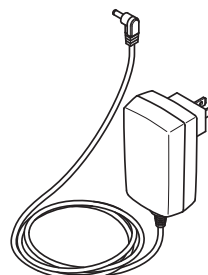


12V DC Adapter  
**046F0005**

PARI TREK® S Carrying Case  
**047F3000**



Multi-Voltage AC Adapter  
**047F0015**



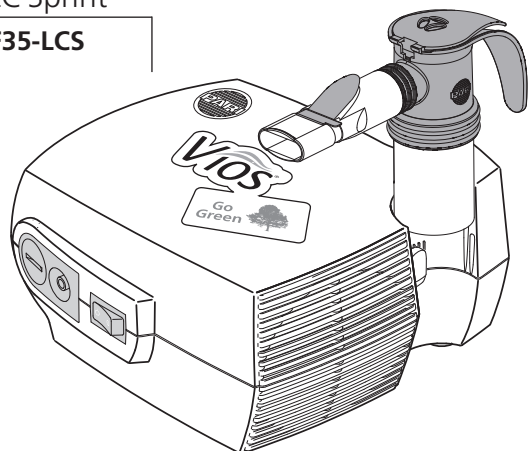


## Vios® Aerosol Delivery System *Life Inspired*

Item # denotes a single product (ea) unless otherwise stated. Items available to ship individually or in cases as stated under Case Qty.

Item #	Description	Contents	Case Qty.
310F35-LCS	Vios® w/ LC Sprint®	Vios® Compressor, 1 PARI LC Sprint® reusable nebulizer, 1 temporary, backup disposable nebulizer	6
310F35-P	Vios® Pediatric w/ LC Sprint®	Vios® Compressor, 1 PARI LC Sprint® reusable nebulizer, 1 temporary, backup disposable nebulizer, PARI Bubbles™ Pediatric Aerosol Mask, Carrying case, PARI PALST™ Activity Book & Sticker Set	6
310F83-LC+	Vios® w/ LC PLUS®	Vios® Compressor, 1 PARI LC PLUS® nebulizer, 1 temporary, backup disposable nebulizer	6
310F83-P	Vios® Pediatric w/ LC PLUS®	Vios® Compressor, 1 PARI LC PLUS® reusable nebulizer, 1 temporary, backup disposable nebulizer, PARI Bubbles™ Pediatric Aerosol Mask, Carrying case, PARI PALST™ Activity Book & Sticker Set	6
ACCESSORIES			
310F0100	Vios® Carrying Case		1
310F0125	Vios® 100% Cotton Tote Bag		1
041E4851P12	Replacement Air Filters <i>Sold only in case qty</i>		12

PARI Vios® Adult  
w/ LC Sprint®  
**310F35-LCS**



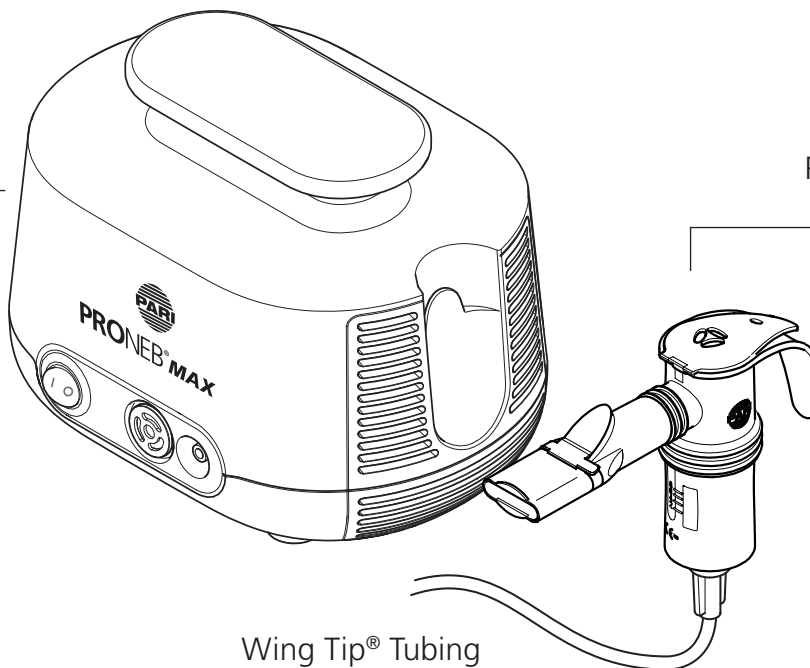
PARI Pals™ Activity Book and  
Sticker Set

## PRONEB® MAX Aerosol Delivery System Powerful 1.6 Bar Compressor

Item # denotes a single product (ea) unless otherwise stated. Items available to ship individually or in cases as stated under Case Qty.

Item #	Description	Contents	Case Qty.
130F35-LCS	PRONEB® MAX w/ LC Sprint®	PRONEB® MAX Compressor, 2 PARI LC Sprint® reusable nebulizers	6
130F83-LC+	PRONEB® MAX w/ LC PLUS®	PRONEB® MAX Compressor, 2 PARI LC PLUS® reusable nebulizers	6
ACCESSORIES			
023F35	PARI LC Sprint® PRONEB® MAX	PARI LC Sprint® Reusable Nebulizer, IFU, Wing Tip® tubing <i>For use with the PRONEB® MAX Aerosol Delivery System</i>	1
022F81	PARI LC PLUS® PRONEB® MAX	PARI LC PLUS® Reusable Nebulizer, IFU, Wing Tip® tubing <i>For use with the PRONEB® MAX Aerosol Delivery System</i>	1
044E0055	Wing Tip® Tubing	Wing Tip® tubing	1

PARI PRONEB® MAX  
**130F35-LCS**



PARI LC® Sprint  
PRONEB® MAX  
**023F35**

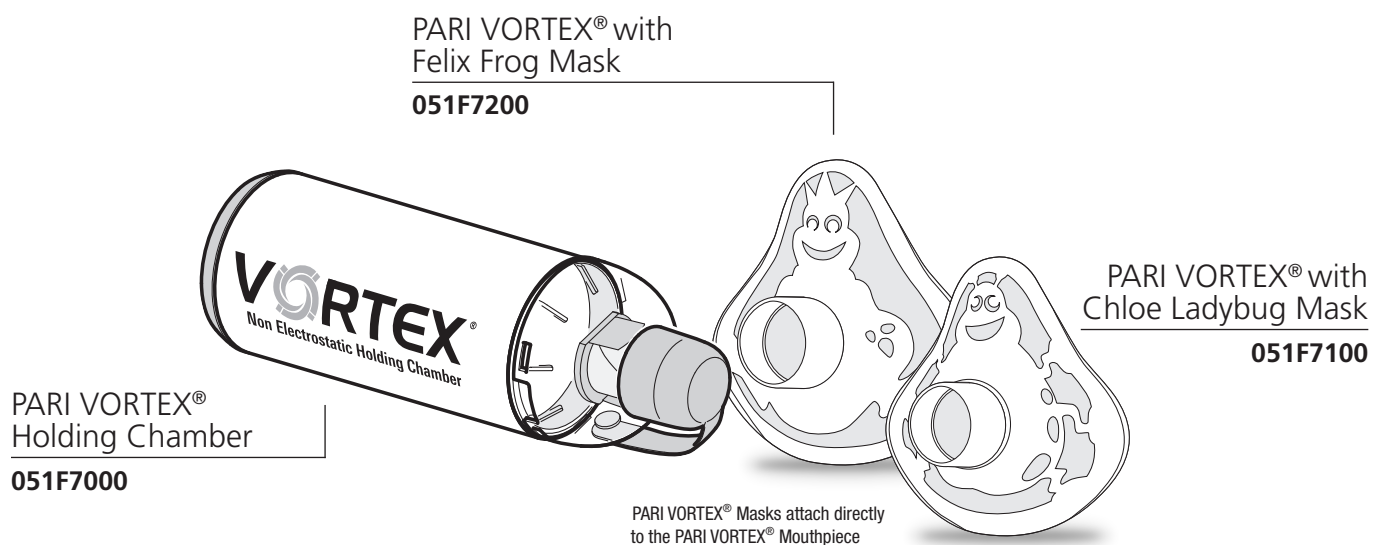
Wing Tip® Tubing  
**044E0055**

# PARI VORTEX® Non Electrostatic Holding Chamber

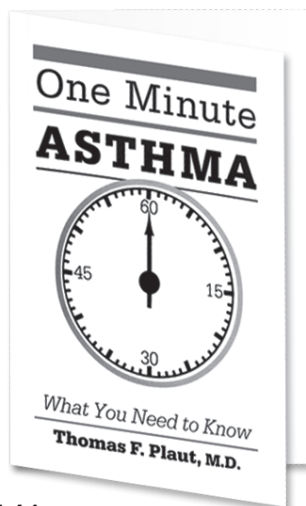
*A Breakthrough in Holding Chamber Technology*

Item # denotes a single product (ea) unless otherwise stated. Items available to ship individually or in cases as stated under Case Qty.

Item #	Description	Contents	Case Qty.
051F7000	VORTEX® Non-Electrostatic Holding Chamber	VORTEX® Non-Electrostatic Holding Chamber	12
051F7100	VORTEX® w/ Toddler Ladybug Mask (Small, ages 1-2 years)	VORTEX® w/ Toddler Ladybug Mask (Small, ages 1-2 years)	12
051F7200	VORTEX® w/ Child Frog Mask (Medium, ages 3+ years)	VORTEX® w/ Child Frog Mask (Medium, ages 3+ years)	12
051F7300	VORTEX® w/ Adult Mask	VORTEX® w/ Adult Mask	12
ACCESSORIES			
044F5110	Toddler Ladybug Mask (Small, ages 1-2 years)		12
044F5210	Child Frog Mask (Medium, ages 3+ years)		12
044F7247	Adult Mask (Large)		12



## Educational Accessories



*ONE MINUTE ASTHMA*  
by Thomas F Plaut, M.D.

**044D0013 & 044D0012**

Item # denotes a single product (ea) unless otherwise stated. Items available to ship individually or in cases as stated under Case Qty.

Item #	Description	Contents	Case Qty.
044D0013 044D0012 <i>Spanish</i>	<i>One Minute Asthma</i> By Thomas F. Plaut, M.D.	One of the most comprehensive books written about asthma and asthma management. Excellent for any patient interested in living their life to the fullest.	1
044D0014	<i>Winning Over Asthma</i> by Elleen Dolan		1
044D0029	PARI PALS™ Activity Book	Includes educational games & puzzles about respiratory conditions.	1
044D0030	PARI PALS™ Sticker Set		1

## Instructional Materials

Item # denotes a single product (ea) unless otherwise stated. Items available to ship individually or in cases as stated under Case Qty.

Item #	Description	Case Qty.
018D0012	Instructions, PARI PEP® S SYSTEM	1
018D0200	Instructions, PARI O-PEP	1
022D0205	Instructions, PARI LC PLUS®/Star® Reusable Nebulizer	1
023D0221	Instructions, PARI LC Sprint® Reusable Nebulizer	1
310D0049	Instructions, Vios® Aerosol Delivery System w/ PARI LC PLUS®/Star®	1
310D0127	Instructions, Vios® Aerosol Delivery System w/ PARI LC Sprint®	1
047D0206	Instructions, PARI TREK® S Compact Compressor System	1
051D7001	Instructions, PARI Vortex® Non-Electrostatic Holding Chamber	1

## Reimbursement and Reference Information

Item # denotes a single product (ea) unless otherwise stated. Items available to ship individually or in cases as stated under Case Qty.

Item #	Description	NDC	UPC	HCPC Code(s)	Case Qty.
018F63	PARI PEP® S	83490-0180-12	7-44229-18012-8	-	12
018F65	PARI O-PEP	83490-0180-14	744229-18014-2	E0484	6
022F51	PARI LC Star® Reusable Nebulizer	83490-0220-82	7-44229-22082-4	A7005	12
022F62	PARI LC PLUS® w/Adult Aerosol Mask	83490-0220-49	7-44229-22049-7	A7005	12
022F63	PARI LC PLUS® w/ Pediatric Aerosol Mask	83490-0220-50	7-44229-22050-3	A7005	12
022F81	PARI LC PLUS® Reusable Nebulizer	83490-0220-28	7-44229-22028-2	A7005	50
022F90	PARI BABY™ w/ Nebulizer Set, Sz 0	83490-0220-36	7-44229-22036-7	A7005	12
022F91	PARI BABY™ w/ Nebulizer Set, Sz 1	83490-0220-37	7-44229-22037-4	A7005	12
022F92	PARI BABY™ w/ Nebulizer Set, Sz 2	83490-0220-38	7-44229-22038-1	A7005	12
023F35	PARI LC Sprint® Reusable Nebulizer	83490-0230-01	7-44229-23001-4	A7005	50
023F35-R	PARI LC Sprint® Retail <i>Sold only in case qty</i>	83490-0230-11	7-44229-23011-3	A7005	12
041E4851P12	Replacement Air Filters: PARI Trek® S and Vios® <i>Sold only in case qty</i>	83490-0410-58	7-44229-41058-4	A7013	12, 200
041F05	Filter Valve Set	83490-0410-03	7-44229-41003-4	-	50
041F0522P30	Expiratory Filter Pads, 30 pack <i>Sold only in case qty</i>	83490-0410-09	7-44229-41009-6	-	120
041F3500	Noseclip	83490-0410-88	744229-41088-1	-	-
044B4612	Pressure Monitor	83490-0440-38	7-44229-44038-3	E1399	-
044E0055	Wing Tip® Tubing	83490-0440-70	7-44229-44070-3	E1399	100
044F2206	DC/AC Converter 115V Adapter	83490-0440-73	7-44229-44073-4	-	12
044F2400	PARI BABY™ Sz 0	83490-0440-66	7-44229-44066-6	A7015	12
044F2401	PARI BABY™ Sz 1	83490-0440-03	7-44229-44003-1	A7015	12
044F2402	PARI BABY™ Sz 2	83490-0440-04	7-44229-44004-8	A7015	12
044F3301	PARI BABY™ Sz 3	83490-0440-06	7-44229-44006-2	A7015	12
044F5110	VORTEX® Toddler Ladybug Mask	83490-0440-80	7-44229-44080-2	A7015	12
044F5210	VORTEX® Child Frog Mask	83490-0440-81	7-44229-44081-9	A7015	12
044F7247	VORTEX® Adult Mask	83490-0440-61	7-44229-44061-1	A7015	50

## Reimbursement and Reference Information

Item # denotes a single product (ea) unless otherwise stated. Items available to ship individually or in cases as stated under Case Qty.

Item #	Description	NDC	UPC	HCPC Code(s)	Case Qty.
044F7254	PARI Bubbles™ Pediatric Aerosol Mask	-	744229-44084-0	A7015	50
044F7252	Adult Aerosol Mask	83490-0440-78	7-44229-44078-9	A7015	144
046F0005	12V DC Adapter, PARI Trek® S	83490-0460-04	7-44229-46004-6	-	-
047F0015	Multi Voltage AC Adapter, PARI Trek® S	83490-0470-08	7-44229-47008-3	-	-
047F0020	PARI Trek® S Replacement Battery	83490-0470-07	7-44229-47007-6	-	-
047F25	PARI Trek® S Portable Power Pack	83490-0470-04	7-44229-47004-5	-	-
047F3000	PARI Trek® S Carry Case	83490-0470-09	7-44229-47009-0	-	-
047F35-LCS	PARI Trek® S Combo Pack	83490-0470-05	7-44229-47005-2	E0570, A7005	6
047F45-LCS	PARI Trek® S	83490-0470-06	7-44229-47006-9	E0570, A7005	6
051F7000	VORTEX® Non-Electrostatic Holding Chamber	83490-0510-35	7-44229-51035-2	A4627	12
051F7100	VORTEX® w/ Toddler Ladybug Mask	83490-0510-37	7-44229-51037-6	A4627	12
051F7200	VORTEX® w/ Child Frog Mask	83490-0510-39	7-44229-51039-0	A4627	12
051H7400P50	VORTEX® Hospital Package 50 pack <i>Sold only in case qty</i>	83490-0510-41	7-44229-51042-0	A4627	50
310F35-LCS	Vios®, LC Sprint®	83490-0310-58	7444229-31058-7	E0570, A7005	6
310F35-P	Vios®, LC Sprint® Pediatric	83490-0310-62	7444229-31062-4	E0570, A7005	6
310F83-LC+	Vios®, LC PLUS®	83490-0310-67	7444229-31067-9	E0570, A7005	6
310F83-P	Vios®, LC PLUS® Pediatric	83490-0310-71	7444229-31071-6	E0570, A7005	6
130F35-LCS	PRONEB® MAX, LC Sprint®	83490-0130-01	744229-13001-7	E0570, A7005	6
130F83-LC+	PRONEB® MAX, LC PLUS®	83490-0130-02	744229-13002-4	E0570, A7005	6



- ▶ Please refer to Page 3 of this Dealer Catalog for details on placing an order.
- ▶ Tel: 1.800.FAST.NEB (327.8632)  
Fax: 1.804.253.0246
- ▶ 2412 PARI Way  
Midlothian, VA 23112 USA
- ▶ For more information please visit [www.PARI.com](http://www.PARI.com)

A complete list of all PARI Respiratory Equipment, Inc. registered trademarks can be found online at: [www.pari.com/us-en/trademarks/](http://www.pari.com/us-en/trademarks/)

© 2023 PARI Respiratory Equipment, Inc. All Rights Reserved.  
US-Mask-1800004 v7 05-23